

SCO-2080

High Resolution Bullet Camera

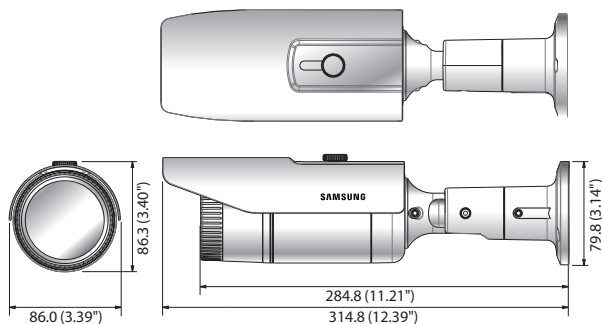


Key Features

- High resolution of 600TV lines (Color), 700TV lines (B/W)
- Min. illumination 0.15Lux@ F1.2 (Color), 0.001Lux (B/W)
- 3.6x varifocal lens (2.8 ~ 10mm)
- True Day & Night (ICR), MD, SSNRIII
- IP66, Coax : Pelco-C (Coaxitron), RS-485, Dual power

Dimensions

Unit : mm (inch)



	SCO-2080N	SCO-2080P
VIDEO		
Imaging Device	1/3" Super HAD CCD II	
Total Pixels	811(H) x 508(V)	795(H) x 596(V)
Effective Pixels	768(H) x 494(V)	752(H) x 582(V)
Scanning System	2 : 1 Interlace	
Synchronization	Internal / Line lock	
Frequency	H : 15.734KHz / V : 59.94Hz	H : 15.625KHz / V : 50Hz
Horizontal Resolution	Color : 600TV lines, B/W : 700TV lines	
Min. Illumination	Color : 0.15Lux@F1.2 (50IRE), 0.0003Lux (Sens-up, 512x) B/W : 0.001Lux@F1.2 (50IRE), 0.000002Lux (Sens-up 512x)	
S / N Ratio	52dB (AGC off, Weight on)	
Video Output	CVBS : 1.0Vpp / 75Ω composite	
LENS		
Focal Length (Zoom Ratio)	2.8 ~ 10mm (3.6x) varifocal	
Max. Aperture Ratio	1 : 1.2(Wide) ~ 2.8(Tele)	
Angular Field of View	H : 94.4°(Wide) ~ 28°(Tele) / V : 69.2°(Wide) ~ 21°(Tele)	
Min. Object Distance	0.2m (0.66ft)	
Focus Control	Manual	
Lens Type	DC auto iris	
OPERATIONAL		
On Screen Display	English, Japanese, Spanish, French, Portuguese, Taiwanese, Korean	English, French, German, Spanish, Italian, Chinese, Russian, Polish, Czech, Romanian, Serbian, Swedish, Danish, Turkish, Portuguese
Camera Title	Off / On (Displayed 15 characters)	
Day & Night	Auto (ICR) / Color / B/W	
Backlight Compensation	Off / BLC / HLC	
Contrast Enhancement	SSDR (Off / On)	
Digital Noise Reduction	SSNRIII (Off / On)	
Digital Image Stabilization	Off / On	
Motion Detection	Off / On (8 programmable zones)	
Privacy Masking	Off / On (12 programmable zones)	
Sens-up (Frame Integration)	2x ~ 512x	
Gain Control	Off / Low / High	
White Balance	ATW / Outdoor / Indoor / Manual / AWC (1,700°K ~ 11,000°K)	
Electronic Shutter Speed	1/60 ~ 1/120,000sec	1/50 ~ 1/120,000sec
Digital Zoom	Off / On (1x ~ 16x)	
Reverse	H-Rev / V-Rev	
Communication	Coaxial control (SPC-300 compatible), RS-485	
Protocol	Coax : Pelco-C (Coaxitron) RS-485 : Samsung-T/E, Pelco-D/P, Panasonic, Bosch, Honeywell, Vicon	
ENVIRONMENTAL		
Operating Temperature / Humidity	-10°C ~ +55°C (+14°F ~ +131°F) / Less than 90% RH	
Ingress Protection	IP66	
ELECTRICAL		
Input Voltage / Current	Dual (24V AC & 12V DC ±10%)	
Power Consumption	Max. 3.8W	
MECHANICAL		
Color / Material	Dark gray / ALDC	
Dimensions (WxHxD)	86.0 x 86.3 x 314.8mm (3.39" x 3.40" x 12.39")	
Weight	955g (2.11 lb)	

* The latest product information / specification can be found at <http://security.hanwhatechwin.com>